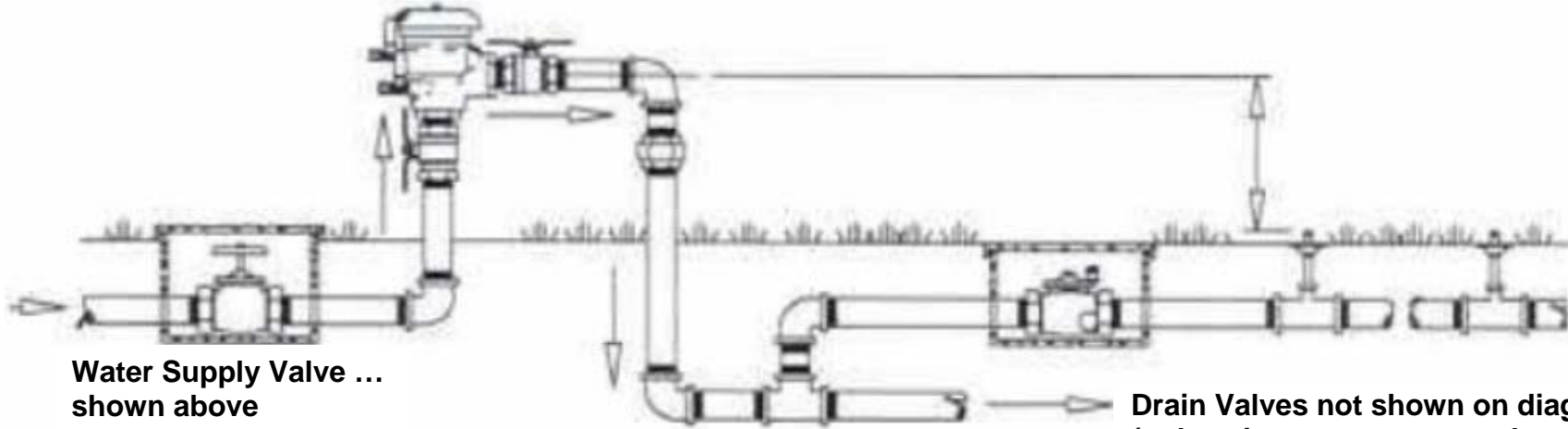


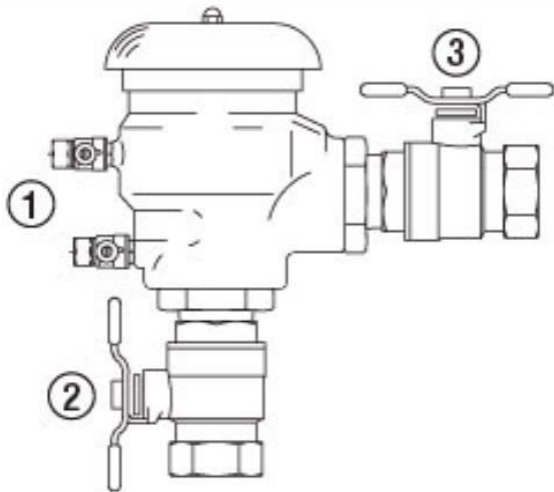
Winterize Moana Nursery Irrigation System (usually in November for high desert):

1. Close Supply Valve (turn clockwise completely).
2. Open Test Cocks one quarter turn either direction (so slot is horizontal).
3. Turn Ball Valves one eighth turn (so valve handles at 45 degrees to pipe).
4. Open Manual Drain Valves (may be more than one; turn counter clockwise completely).
5. Turn System Controller Dial from Auto to Off.



**Water Supply Valve ...
shown above**

**Drain Valves not shown on diagram
(unless in separate, capped
enclosure, usually in green box and at
lowest elevation of yard/system).**



**Pressure Vacuum Breaker ...
shown above.**

1. Two Test Cocks - - slot horizontal for winter and vertical for spring.
2. Ball Valve handle at 45 degrees to pipe allows drainage from pressure vacuum breaker.
3. Ball Valve handle at 45 degrees to pipe allows drainage to system (both handles in line with pipe in spring for start-up).

**Remember: Must shut off water supply first.
Last ... find and open manual drain valves (they may be in
green box next to watering valves and wiring or in
separate, capped tube; water should drain to a trickle).**